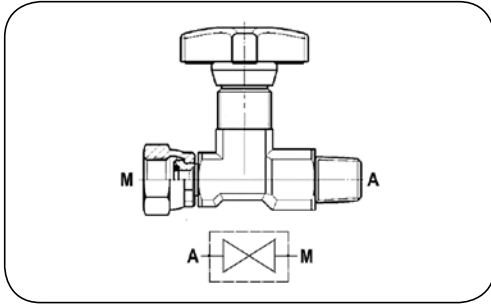


## MEASURING SYSTEMS - pressure gauge



### Shut-off valve FT 290

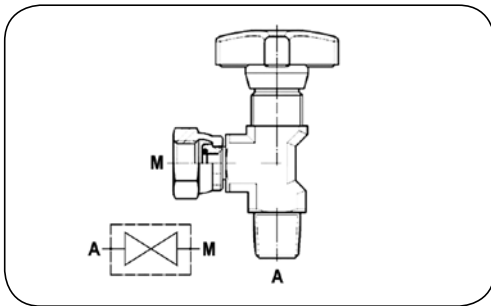
**Material:** Body - zinc-plated steel  
Wheel - plastic

**Seal:** NBR

**Working temp.:** From -20°C up to +90°C

A valve with M connection for a pressure gauge. Used in hydraulic systems to shut a pressure gauge from the system.

code	thread size M [inch]	thread size A [inch]	working pressure [bar]
DC-FT290-04	1/4 BSP	1/4 BSPT	350



### Shut-off valve FT 291

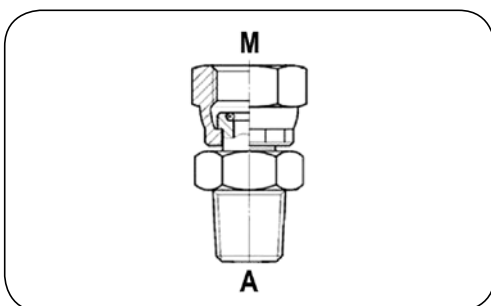
**Material:** Body - zinc-plated steel  
Wheel - plastic

**Seal:** NBR

**Working temp.:** From -20°C up to +90°C

A valve with M connection for a pressure gauge. Used in hydraulic systems to shut a pressure gauge from the system.

code	thread size M [inch]	thread size A [inch]	working pressure [bar]
DC-FT291-04	1/4 BSP	1/4 BSPT	350



### Adapter FT 299

**Material:** Zinc-plated steel

**Seal:** NBR

**Working temp.:** From -20°C up to +90°C

An adapter with M connection for a pressure gauge. Used in hydraulic systems to connect a pressure gauge with the system.

code	thread size M [inch]	thread size A [inch]	working pressure [bar]
DC-FT299-04	1/4 BSP	1/4 BSPT	400
DC-FT299-08	1/4 BSP	1/2 BSPT	400